



INSTRUCTION MANUAL DATA COLLECTOR

FC-100

SERIES
FC-100

Foreword

Thank you for purchasing the TOPCON Data Collector FC-100 series.



For superior product performance, please read this instruction manual carefully and keep it in a convenient place for future reference.

General Handling Precautions

- Before starting work or operation, be sure to check that the instrument is functioning correctly with normal performance.
- Always make sure instrument is dry before putting it in the soft case. Never store a damp instrument.
- Do not leave the instrument under strong sunlight for a long time. It may cause the instrument to malfunction.
- When waterproofness is necessary, close all the caps securely. However, the serial connector has a waterproof structure, so it will remain waterproof even if its cap is not closed.

Display for Safe Use

In order to ensure the safe use of this product, prevent any danger to the operator or others, or damage to property, important warnings are placed on the product and inserted in the instruction manual. We recommend that you become familiar with the meaning of these Warnings and Cautions before continuing.

Display	Meaning
 WARNING	Ignoring or disregard of this display may lead to the danger of death or serious injury.
 CAUTION	Ignoring or disregard of this display may lead to personal injury or physical damage.

- Injury refers to hurt, burn, electric shock, etc.
- Physical damage refers to extensive damage to equipment and structure or furnishings.

Safety Cautions



WARNING

There is a risk of fire, electric shock or physical harm if you attempt to disassemble or repair the instrument yourself.

This is only to be carried out by TOPCON or an authorized dealer, only!

May ignite explosively.

Never use an instrument near flammable gas, liquid matter, and do not use in a coal mine.

High temperature may cause fire.

Do not cover the charger while it is charging.

Risk of fire or electric shock.

Do not use a wet battery or charger.

Battery can cause explosion or injury.

Do not dispose in fire or heat.

To reduce the risk of hazards, use only CSA/UL certified power supply cord set, cord is Type SPT-2 or heavier, minimum No.18 AWG copper, one end is provided with a moulded-on male attachment plug cap (with a specified NEMA configuration), and the other end is provided with a moulded-on female connector body (with a specified IEC non-industrial type configuration).

The short circuit of a battery can cause a fire.

Do not short circuit battery when storing it.

Battery can cause outbreak of fire.

Do not use any other type of charger other than the one specified.

Risk of fire or electric shock.

Do not use any power voltage except the one given on manufacturers instructions.



CAUTION

Do not allow skin or clothing to come into contact with acid from the batteries, if this does occur then wash off with copious amounts of water and seek medical advice.

Do not connect or disconnect equipment with wet hands, you are at risk of electric shocks if you do!

Do not touch the charger, AC-DC converter or heating part of the instrument for a long period while charging the battery. There is a risk of low-temperature burn.

Exceptions from Responsibility

- 1) The user of this product is expected to follow all operating instructions and make periodic checks of the product's performance.
- 2) The manufacturer, or its representatives, assumes no responsibility for results of a faulty or intentional usage or misuse including any direct, indirect, consequential damage, and loss of profits.
- 3) The manufacturer, or its representatives, assumes no responsibility for consequential damage, and loss of profits by any disaster, (an earthquake, storms, floods etc.), fire, accident, or an act of a third party and/or a usage in other than usual conditions.
- 4) The manufacturer, or its representatives, assumes no responsibility for any damage, and loss of profits due to a change of data, loss of data, an interruption of business etc., caused by using the product or an unusable product.
- 5) The manufacturer, or its representatives, assumes no responsibility for any damage, and loss of profits caused by usage other than explained in the user manual.
- 6) The manufacturer, or its representatives, assumes no responsibility for damage caused by wrong movement, or action due to connecting with other products.

Contents

Foreword	1
General Handling Precautions	1
Display for Safe Use	2
Safety Cautions	3
Exceptions from Responsibility	4
Contents	5
Standard Package Components	7
Nomenclature	8
FC-100	8
Connectors	10
Preparation for Use	11
Shortcut Keys	11
Battery	12
Setting Handstrap	16
Touch Screen	17
How to Insert CF Card	18
Transmission Data to The PC.....	19
Using Interface Cable	19
Using Bluetooth®.....	20
RAM Data Backup.....	21
Execute the Backup function	21

Set the Automatic Backup for every suspension	22
Set the restoration after hard reset	22
Resetting FC-100	23
Soft Reset	23
Hard Reset.....	24
Specifications	25
Storage Precautions.....	28

Standard Package Components

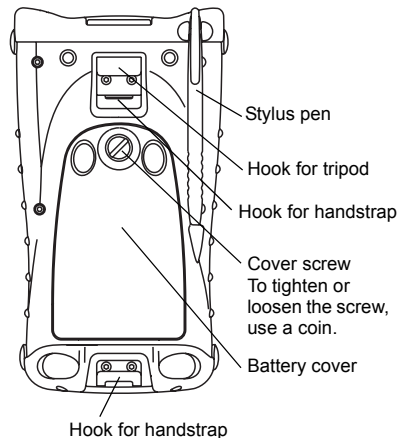
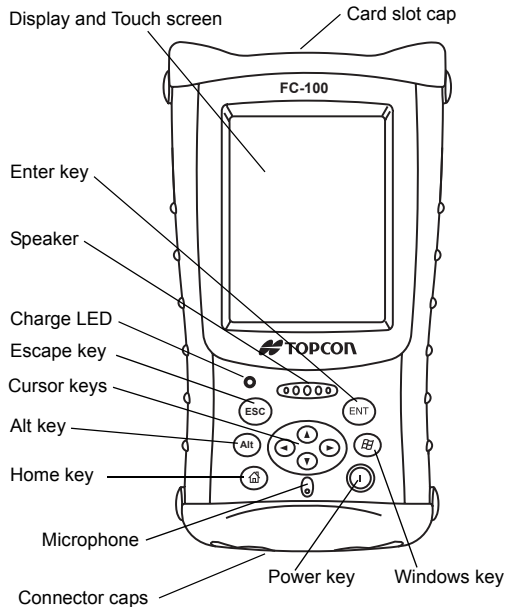
Upon opening, make sure that all the followings are included.

- 1) FC-100 Instrument..... 1set
- 2) BT-66Q Battery 1pc.
- 3) AC/DC converter*1) 1pc.
- 4) Interface cable F-25 1pc.
- 5) Handstrap 1pc.
- 6) Soft case 1pc.
- 7) Stylus pen 1pc.
- 8) Display protection sheet 5pcs.
- 9) FC-100 Instruction manual 1copy
- 10) BTManager2.0 Instruction manual 1copy

*1)AD-9B,AD-7C or AD-13

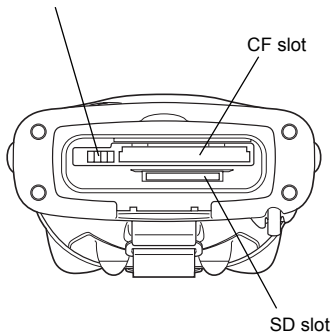
Nomenclature

FC-100

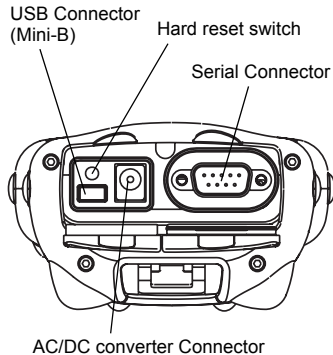


Card slot side

CF card eject button
To eject the CF card, stand the button up, then press it.



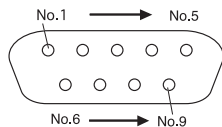
Connector side



This figure shows the FC-100 with the cap opened.

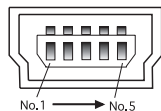
Connectors

Serial connector



No.1	DCD	(IN)
No.2	RXD	(IN)
No.3	TXD	(OUT)
No.4	DTR	(OUT)
No.5	GND	
No.6	DSR	(IN)
No.7	RTS	(OUT)
No.8	CTS	(IN)
No.9	RI	(IN)

USB Connector
(Type Mini-B)



No.1	VDD
No.2	V-
No.3	V+
No.4	NC
No.5	GND

Preparation for Use

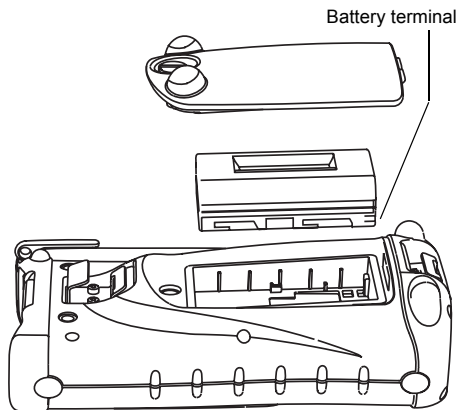
Shortcut Keys

Shortcut Commands	<div data-bbox="473 194 963 236">Continue tapping on an item</div> <p data-bbox="695 239 741 263">OR</p> <div data-bbox="473 272 963 391">Press [Alt] + tap on an item</div> <p data-bbox="336 394 1100 456">are the same as a right click on a mouse. A menu is displayed containing commands specific to the item.</p>
----------------------	--

Battery

Battery Installation

- 1** Using a coin, loosen the cover screw on the battery cover.
- 2** Remove the battery cover.
- 3** Install the battery pack.
(Confirm the direction of battery installation.)
- 4** Using a coin, install the battery cover.
Tighten the cover screw firmly.

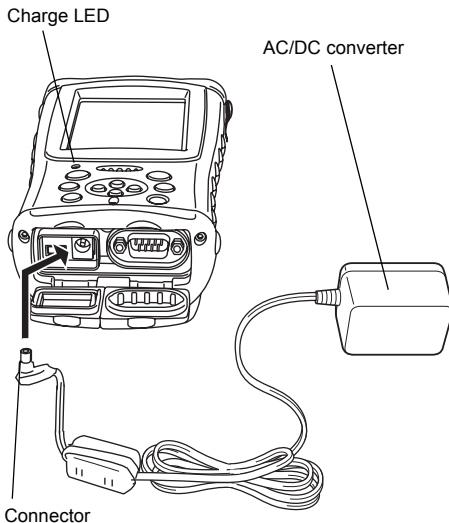


Battery Charging

- 1** After installing the battery, plug the connector of AC/DC converter in the FC-100.
- 2** Plug the AC/DC converter in an outlet. Then the charge LED will light. Charging is completed after approximately 6 hours. The display can be turned on or off by the power key.

The charge LED of FC-100 will indicate charging status;

- Red ON : Charging.
- Green ON : Charging completed.
- Red Flashing : Charging error.



Note: The instrument may develop heat while charging, there is no problem of it. Always use the AC/DC converter provided with the product.

Note

- 1) Recharge batteries at the room temperature between +10°C to +40°C (+50°F to +104°F).
- 2) The battery source will discharge when not being used. Always charge before use.
- 3) If the instrument is not used over an extended period of time, be sure to charge battery source every 15 days and store in a place at 30°C or below. If you allow the battery to be completely discharged, it will have an effect on the proper charging in the future.
- 4) The charger may develop heat while charging. This is not a breakdown.
- 5) Attempting to charge batteries immediately after charging may cause a degradation of the batteries.
- 6) Do not charge successively. It may cause degradation of batteries and/or the battery charger. If more charging needs to be done, wait approximately 30 minutes before charging.

How to save battery power:

- **Backlight**

If the backlight is not needed, lower the brightness or set so that the light will turn off after a short time. Brightness can be adjusted by the following procedure:

1 Press [Alt] + tap the background of Desktop→[Properties] → [Backlight].

2 Adjust by [◀] or [▶] icon of Brightness setting.

- **Low temperature use**

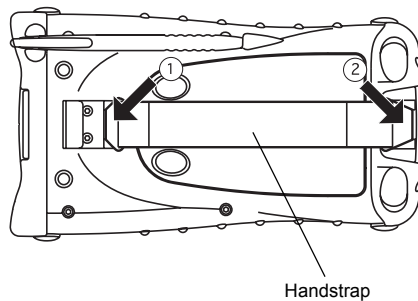
Battery capacity is reduced at low temperatures. When using under low temperature conditions, keep the equipment as warm as possible.

- **CF cards, SD cards, USB port**

Disconnect cards and cables when not in use.

Setting Handstrap

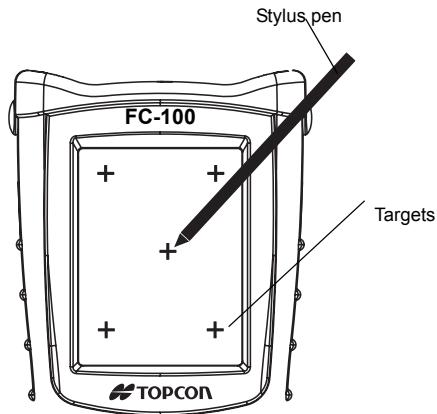
- 1** Set the handstrap on the handstrap hook ①.
- 2** Set the handstrap on the handstrap hook ②.



Touch Screen

Adjusting Touch Screen

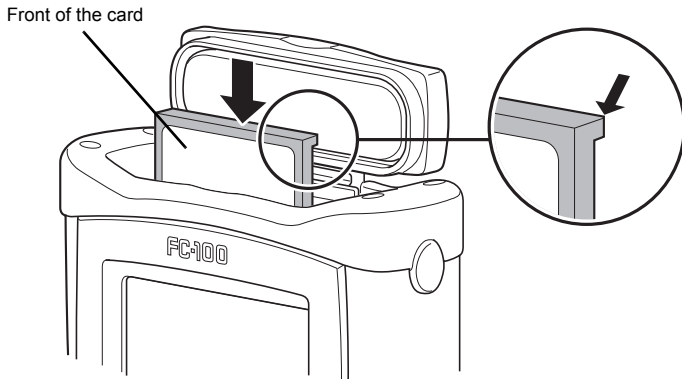
- 1** Turn on the instrument after hard-reset or tap [Start], [Setting], [Control Panel], [Stylus], [Calibration], [Recalibrate].
- 2** Using a stylus pen, touch the center of the target.
- 3** After touching all targets(5 points), press [ENT] key or tap the display.
(Use an accessory stylus pen to touch a screen. Do not use neither a ball-point pen nor pencil.)



How to Insert CF Card

Please make sure you have the front and back of the CF cards facing correctly when inserting into the card slot.

If you forcibly insert the card incorrectly, the pin at the card slot may be damaged and cause a breakdown.



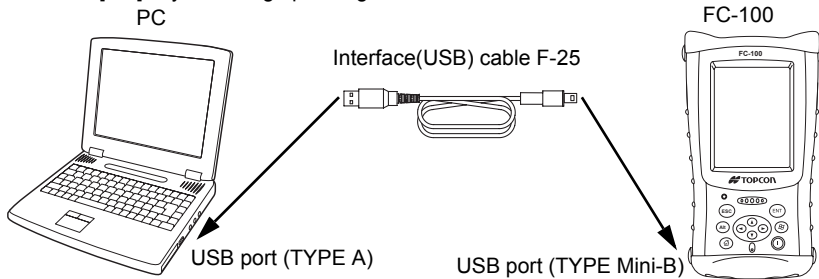
Please insert straight down into the card slot.

If you forcibly insert the card at an angle, the pin at the card slot may be damaged and cause a breakdown.

Transmission Data to The PC

Using Interface Cable

- 1** Install ActiveSync in your PC (if it is not already installed).
- 2** Connect the FC-100 to your PC with an interface cable F-25 as shown below.
- 3** The FC-100 will give the prompt, "Connecting to Host".
- 4** The PC will prompt you to set up a partnership or set up as a guest.
- 5** Select the [NO] key to setting up as a guest.



- 6** Press the [Next] key. Once a connection has been established, the ActiveSync window will appear on your PC.

7 Click the [Explorer] icon. You will then see the FC-100 file structure.

Reference software for Connectivity

See the WEB page as follows.

<http://www.microsoft.com/windowsmobile/>

Using Bluetooth®

The FC-100 has Bluetooth transmission function built-in. Information can be exchanged between instruments equipped with the same function using wireless. *1)

Regarding the Bluetooth setting, please see the instruction manual, "BTManager 2.0".

*1)Serial Port Profile, Dial-Up Network Capable.

RAM Data Backup

If your device had not recharged during several days, the battery will be running down, and you would lose all of data on the device other than that in the "Storage Card (internal Flash ROM)". In addition, you might perform hardware-reset by the hardware problem or software problem. In this case, you would lose all data same as the above.

You can use Backup function of FC-100 in order to evade such kind of uneasiness. Your data will be restored to latest condition* automatically when rebooting by using the Backup function.

The Backup function saves all data files of RAM (except for OS files), registry file and additionally installed programs into named "Backup" folder in the "Storage Card" .



- * Restoring former backed up data may be incomplete if you upgrade OS version.
- * The conditions that you executed the backup function last.

Execute the Backup function

- 1** Tap the icon "Start"->"Settings"->"Control Panel"->"System"->"Backup". You can see the "Backup" screen on Display.
- 2** Tap the "Ram data backup" button. Backup function will start. Return to "Backup" screen automatically, when the data back up has been completed.
- 3** Tap the button "OK" on title bar. After that "Backup" screen will close automatically.



- * Backing up data may be incomplete if remaining capacity of "Storage Card" is not enough. Please make sure the remaining capacity of "Storage Card" before proceeding to the data back up.
- * Restoration will be impossible if you delete the "Backup" folder in the "Storage Card".

Set the Automatic Backup for every suspension

- 1** On the "Backup" Screen, please check it 'ON/OFF' "RAM data will be backed up before suspension".(Factory setting is 'ON' as default)
- 2** Tap the button "OK" on title bar. After that, "Backup" screen will close automatically.

Set the restoration after hard reset

- 1** On the "Backup" Screen, check it 'ON/OFF' the "Data restoration after hard reset."
(Factory setting is 'ON' as default)
- 2** Tap the button "OK" on title bar. After that, "Backup" screen will close automatically.

Resetting FC-100

If there is no response to the pressing of a key or tapping of the display, you need to reset the FC-100. There are 2 methods to reset the FC-100.

Soft Reset

With the soft reset, all running applications will be shutdown, and data you are editing will be lost; however, installed programs and stored data are protected.

How to soft reset

- 1** Remove all cables or cards (CFs, SDs) that are currently mounted.
- 2** Press the [Alt], [↑] and [→] keys simultaneously for at least 2 seconds.

Hard Reset

If the instrument does not function properly after soft reset has been done, perform a hard reset. A hardware reset will revert all settings to defaults and erase all RAM data.

<p>A hardware reset will erase all RAM data and applications. Regular backups will ensure RAM data and applications can be restored.</p>
--

How to hard reset

- 1** Remove all cables or cards (CFs, SDs) that are currently mounted.
- 2** Lightly press the hard reset switch beside the AC/DC converter connector with stylus pen.
- 3** Turn on the Power key.

Specifications

Controller

Microprocessor	: XScale PXA 270
Processor speed	: 520MHz
Operating system	: Microsoft® Windows CE 5.0
Memory	: RAM 64MB SDRAM : ROM 128 or 256MB Flash ROM
Display	: Display resolution 240×320 QVGA : Type 3.5 inch TFT Color LCD : Light LED back light
Touch panel	: Analog resistive film
Keyboard	: 10 keys (Power key included)
LED	: 1 LED (charge)
Interface	: Conforming to RS-232C (D-sub 9) : USB (rev 1.1) (Type Mini-B) : Compact Flash (conforming to Type I/II) : SDIO/SD/MMC card slot
Audio	: Sealed speaker (mono), sealed microphone

Bluetooth® Functions

Transmission specifications	: Bluetooth® version 1.2
Transmission method	: Frequency hopping spread spectrum (FH-SS) communication
Modulation method	: GFSK
Data transmission speed	: 1Mbps (Max.)
Antenna	: Chip Antenna (built-in)
Frequency range	: 2.4GHz (2,402~2,480MHz) (0~78ch)
Transmission distance	: 5m (In good visibility) *1)
Corresponding profile	: Serial port, Dial-Up Network

Water resistance and dust resistance

: IP66 *2)

Operation temperature : -20°C to +50°C (-4°F to +122°F)

Storage temperature : -30°C to +60°C (-22°F to +140°F)

Shock resistance : Dropping this instrument from a height of 1 meter does not affect its functions *3)

Operating time *4)

FC-100

: Approx. 20 hours (typical use)

: Approx. 45 hours (with no display light, no touch)

Charging time : Approx. 6 hours (with AC-DC converter)

Dimensions : 182×103×59 (mm)

Weight : 0.6kg (with battery)

*1) Transmission distance is influenced by the environment. The distance of radio wave transmission may be reduced in reinforced concrete buildings or near large-sized metal furniture.

*2) When caps are installed.

- *3) Each of the instrument's 6 sides was dropped onto a concrete surface, and the instrument's operation was then confirmed. Only the exterior of the instrument was damaged.
- *4) Battery capacity will differ depending on whether Bluetooth is used or not, brightness of the backlight, room temperature and application software used.
(When Bluetooth is used, battery capacity will lower approximately 30%)

Battery (BT-66Q)

Type	: Lithium-ion battery
Regular voltage	: 7.4V
Nominal capacity	: 2,500mAh
Exterior dimensions	: 72×39×22 (mm)
Weight	: 110g

AC-DC Converter (AD-9B)

Input	: AC120V, 60Hz, 16W
Output	: 12V, 1A Max. 12W
Charging temperature	: 0°C to +40°C
Exterior dimensions	: 82×56×49 (mm) (Not including cable)
Weight	: 540 g

AC-DC Converter (AD-13)

Input	: AC100V-240V, 50-60Hz, 0.6A
Output	: 12V, 1.25A Max 15W
Charging temperature	: 0°C to +40°C
Exterior dimensions:	74×43.5×34 (mm) (Not including cable and AC plug)
Weight	: 412 g(Not including AC plug)

AC-DC Converter (AD-7C)

Input	: AC230V, 50Hz, 23VA
Output	: 13V, 1A, 13W
Charging temperature	: 0°C to +40°C
Exterior dimensions	: 85×59×68 (mm) (Not including cable)
Weight	: 620 g

Storage Precautions

Always clean the instrument after use.

- 1) If the instrument becomes wet from rain, dry moisture and stow in its soft case.
- 2) To clean the instrument, dust off well and then wipe clean with a soft cloth.

Use a clean cloth moistened with neutral detergent or water to clean the soft case. Never use ether, benzene, thinner or other solvents.



Bluetooth® is a trademark owned by Bluetooth® SIG., Inc., U.S.A.

XScale is a registered trademark of US Intel Corporation in the U.S.A and other countries.

Microsoft, Window Mobile and ActiveSync are registered trademarks of US Microsoft in the U.S.A and other countries.

Regulatory Information

The following sections provide information on this product's compliance with government regulations

FCC Compliance

This device complies with Part 15 of the FCC Rules. Operation is subject to the following two conditions: (1) This device may not cause harmful interference, and (2) this device must accept any interference received, including interference that may cause undesired operation.

NOTE: This equipment has been tested and found to comply with the limits for a Class A digital device, pursuant to part 15 of the FCC Rules. These limits are designed to provide reasonable protection against harmful interference when the equipment is operated in a commercial environment. This equipment generates, uses, and can radiate radio frequency energy and, if not installed and used in accordance with the instruction manual, may cause harmful interference to radio communications. Operation of this equipment in a residential area is likely to cause harmful interference in which case the user will be required to correct the interference at his own expense.

WARNING:

Change or modifications not expressly approved by the party responsible for compliance could void the user's authority to operate the equipment.

Specified cables must be used for connection to host computer and/or peripherals in order to meet FCC emission limits.

For Canada

This Class A digital apparatus complies with Canadian ICES-003.

Cet appareil numérique de la classe A est conforme à la norme NMB-003 du Canada.

Community of Europe Compliance

Standards used:

EN 60950-1: 2001+A11: 2004, First Edition

EN 300 328 V1.6.1 (2004-11)

EN 301 489-1 V1.6.1 (2005-09)

EN 301 489-17 V1.2.1 (2002-08)

Hereby, TOPCON CORP. declare that this DATA COLLECTOR FC-100 is in compliance with the essential requirements and other relevant provisions of Directive 1999/5/EC.



©2007 TOPCON CORPORATION
ALL RIGHTS RESERVED

TOPCON POSITIONING SYSTEMS, INC.

7400 National Drive, Livermore, CA 94550, U.S.A.
Phone: 925-245-8300 Fax: 925-245-8599 www.topcon.com

TOPCON CALIFORNIA

3380 Industrial Blvd, Suite 105, West Sacramento, CA 95691, U.S.A.
Phone: 916-374-8575 Fax: 916-374-8329

TOPCON EUROPE POSITIONING B.V.

Essebaan 11, 2908 LJ Capelle a/d IJssel, The Netherlands.
Phone: 010-458-5077 Fax: 010-284-4941 www.topconeurope.com

IRELAND OFFICE

Unit 69 Western Parkway Business Center
Lower Ballymount Road, Dublin 12, Ireland
Phone: 01460-0021 Fax: 01460-0129

TOPCON DEUTSCHLAND G.m.b.H.

Giesserallee 31, 47877 Willich, GERMANY
Phone: 02154-885-100 Fax: 02154-885-111 info@topcon.de
www.topcon.de

TOPCON S.A.R.L.

89, Rue de Paris, 92585 Clichy, Cedex, France.
Phone: 33-1-41069490 Fax: 33-1-47390251 topcon@topcon.fr

TOPCON SCANDINAVIA A. B.

Neogatan 2 S-43151 Mjndal, SWEDEN
Phone: 031-7109200 Fax: 031-7109249

TOPCON (GREAT BRITAIN)LTD.

Topcon House Kennet Side, Bone Lane, Newbury, Berkshire RG14 5PX U.K.
Phone: 44-1635-551120 Fax: 44-1635-551170
survey.sales@topcon.co.uk laser.sales@topcon.co.uk

TOPCON SOUTH ASIA PTE. LTD.

Blk 192 Pandan Loop, #07-01 Pantech Industrial Complex, Singapore 128381
Phone: 65-62780222 Fax: 65-62733540 www.topcon.com.sg

TOPCON INSTRUMENTS (THAILAND) CO., LTD.

77/162 Sinn Sathorn Tower, 37th Fl.,
Krungdhonburi Rd., Klongtong Sai, Bangkok 10600 Thailand.
Phone: 66-2-4401152~7 Fax: 66-2-4401158

TOPCON INSTRUMENTS (MALAYSIA) SDN. BHD.

Excella Business Park Block C, Ground & 1st Floor, Jalan Ampang Putra,
Taman Ampang Hilir, 55100 Kuala Lumpur, MALAYSIA
Phone: 60-3-42701192 Fax: 60-3-42704508

TOPCON KOREA CORPORATION

2F Yooseoung Bldg., 1595-3, Seocho-Dong, Seocho-gu, Seoul, 137-876, Korea.
Phone: 82-2-2055-0321 Fax: 82-2-2055-0319 www.topcon.co.kr

TOPCON CORPORATION BEIJING OFFICE

Block No.9, Kangding Street
Beijing Economic Technological Development Area, Beijing, China 100176
Phone: 86-10-6780-2799 Fax: 86-10-6780-2790

TOPCON CORPORATION DUBAI OFFICE

P. O Box293705, Office C-25(row C-2), Dubai Airport Free Zone, Dubai, UAE
Phone: 971-4-2995900 Fax: 971-4-2995901

TOPCON CORPORATION

75-1 Hasunuma-cho, Itabashi-ku, Tokyo 174-8580, Japan
www.topcon.co.jp